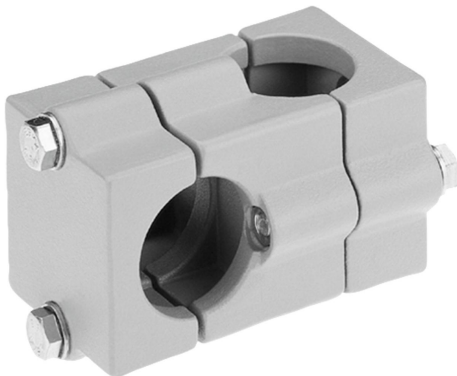


Item description/product images

INCH
Parts**Description****Material:**

Cast aluminium.
Screws and nuts steel.

Version:

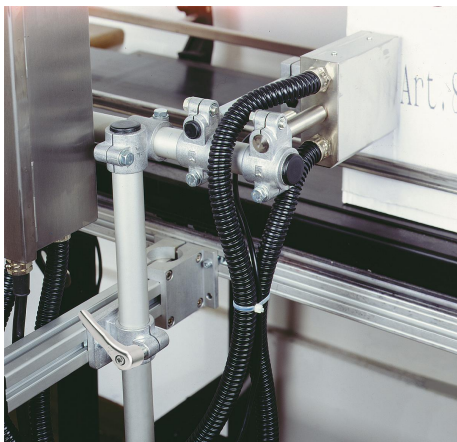
Vibratory ground.
Screws and nuts electro zinc-plated.

Note:

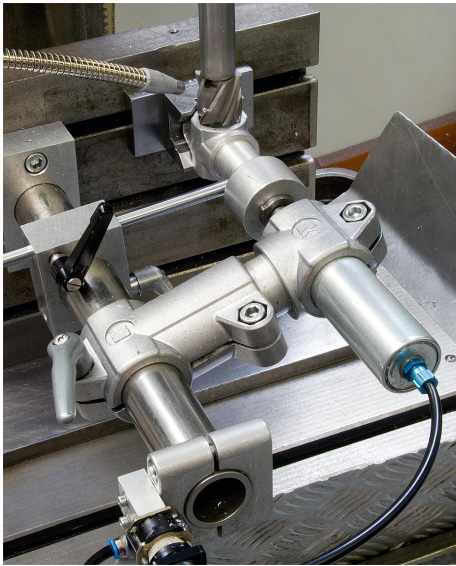
The dimensions for A and B are in inches, all other dimensions are in mm.

On request:

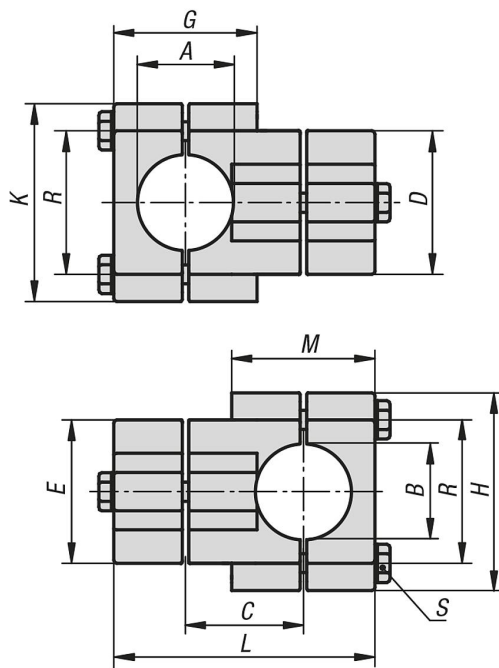
Clamping levers for tightening.



Item description/product images



Drawings



Overview of items

Order No.	A	B	C	D	E	G	H	K	L	M	R	S
29000-52D2D2	1.5	1.5	50	60	60	61	75	75	111	61	57	M8x60

