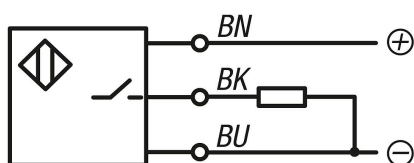


## Item description/product images



for electrics



## Description

**Material:**

Housing die-cast zinc alloy.  
Active surface POM.

**Version:**

Voltage:  $U = 10 - 30 \text{ V DC}$   
Function: Normally open  
Switch type: PNP  
Mounting type: flush  
Security type: IP 67

**Note:**

Non-contact, wear-free operation. High switching frequency and switch accuracy.  
Non-sensitive to vibration, dust and moisture. Inductive sensors register all metals without contact.

Short-circuit and reverse-polarity proof.

**Temperature range:**

$-25 \text{ }^{\circ}\text{C}$  to  $+70 \text{ }^{\circ}\text{C}$

**Safety:**

This product is not suited as a sensor for the personal protection.

**Drawing reference:**

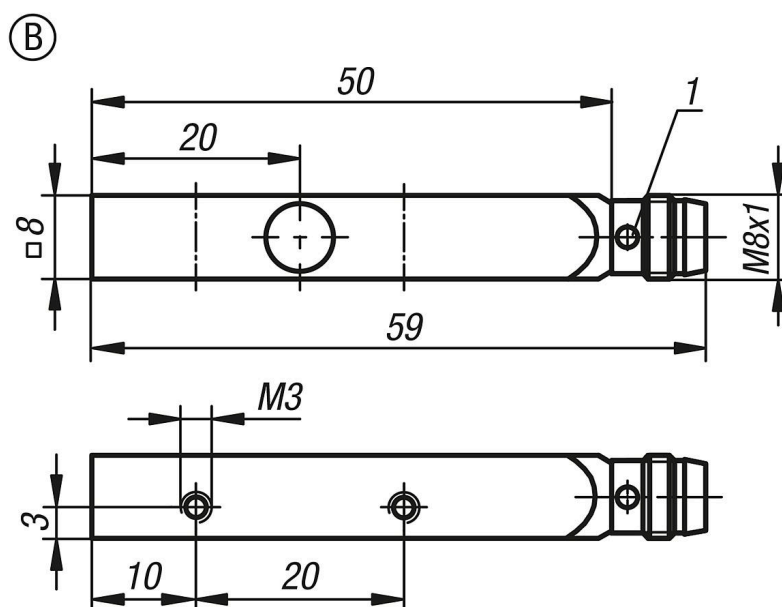
1) LED-indicator

BN = brown

BK = black

BU = blue

## Drawings



## Overview of items

Order No.	Form	Switching distance Sn (mm)	Current I max. (mA)	Switching frequency f (Hz)	Connection type	No. of conductors x conductor cross-section
83000-05-010	B	1,5	200	5000	connector 3-pin	-