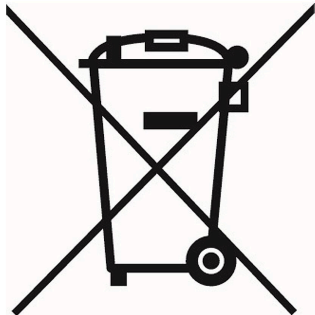
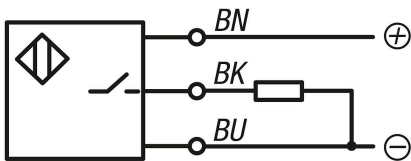


Item description/product images



for electrics



Description

Material:

Housing high-alloy stainless steel
Active face POM.

Version:

Voltage: $U = 10 - 30 \text{ V DC}$
Function: Normally open
Switch type: PNP
Mounting type: flush
Security type: IP 67

Note:

Non-contact, functions wear-free with high switching frequency and accuracy.
Non-sensitive to vibrations, dust and moisture. Inductive sensors record all metals without contact.

Form C enables screw fastening in a T-slot. Is safe and saves space as the proximity switch lays flush in the slot.

Short-circuit proof and reverse-polarity protected.

Temperature range:

$-25 \text{ }^{\circ}\text{C}$ to $+70 \text{ }^{\circ}\text{C}$

Safety:

This product is not suited as a sensor for the personal protection.

Drawing reference:

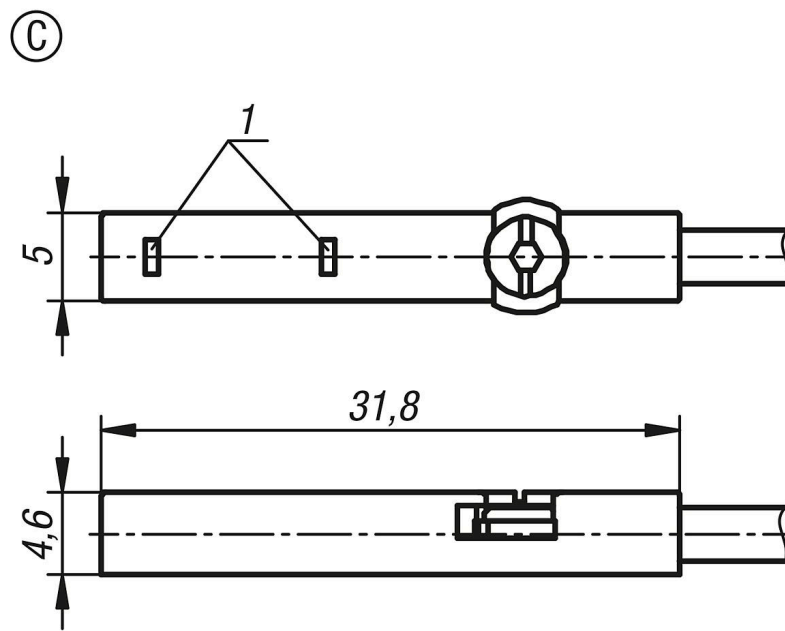
1) LED-indicator

BN = brown

BK = black

BU = blue

Drawings



Overview of items

Order No.	Form	Switching distance S _n (mm)	Current I max. (mA)	Switching frequency f (Hz)	Connection type	No. of conductors x conductor cross-section
83000-05-015	C	1,5	150	4500	TPE-U(PU) cable	3 x 0,14 mm ²