

Item description/product images



Description

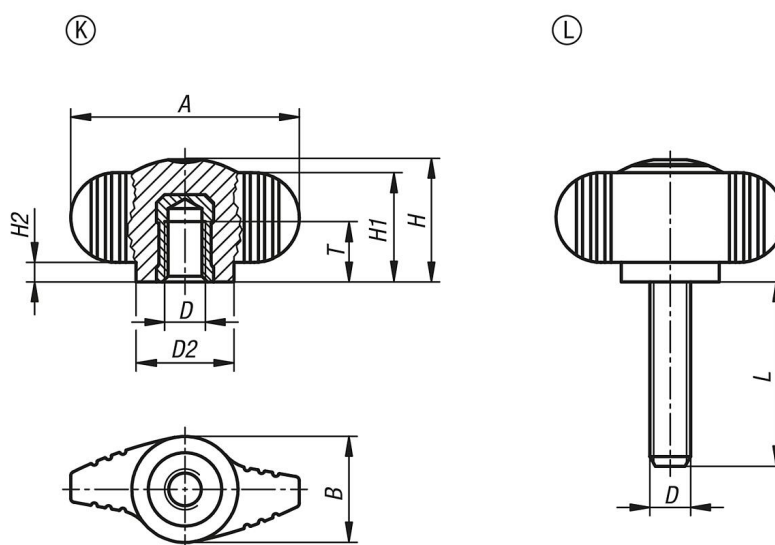
Material:

Grip thermoplastic.
 Bushes brass, steel 5.8 or stainless steel 1.4305.
 Threaded pin steel 5.8 or stainless steel 1.4305.

Version:

Grip black grey.
 Steel trivalent blue passivated.
 Stainless steel bright.

Drawings



Overview of items

Order No.	Form	Component material	A	B	D	D2	H	H1	H2	T	L
06652-0AE	K	brass	28	-	8-32	12	-	13,3	2,3	6	-
06652-0A1	K	brass	28	-	10-32	12	-	13,3	2,3	8	-
06652-0A2	K	brass	28	-	1/4-20	12	-	13,3	2,3	8	-
06652-8A2	K	steel	40	16	1/4-20	14,6	21	19	4	12	-
06652-8A3	K	steel	40	16	5/16-18	14,6	21	19	4	12	-
06652-00AE	K	stainless steel	28	-	8-32	12	-	13,3	2,3	6	-
06652-00A1	K	stainless steel	28	-	10-32	12	-	13,3	2,3	8	-
06652-00A2	K	stainless steel	28	-	1/4-20	12	-	13,3	2,3	8	-
06652-08A2	K	stainless steel	40	16	1/4-20	14,6	21	19	4	12	-
06652-08A3	K	stainless steel	40	16	5/16-18	14,6	21	19	4	12	-
06652-0AEX10	L	steel	28	-	8-32	12	-	13,3	2,3	-	10
06652-0AEX20	L	steel	28	-	8-32	12	-	13,3	2,3	-	20
06652-0A1X10	L	steel	28	-	10-32	12	-	13,3	2,3	-	10
06652-0A1X20	L	steel	28	-	10-32	12	-	13,3	2,3	-	20
06652-0A2X20	L	steel	28	-	1/4-20	12	-	13,3	2,3	-	20
06652-0A2X30	L	steel	28	-	1/4-20	12	-	13,3	2,3	-	30
06652-0A3X20	L	steel	28	-	5/16-18	12	-	13,3	2,3	-	20
06652-0A3X40	L	steel	28	-	5/16-18	12	-	13,3	2,3	-	40
06652-8A2X20	L	steel	40	16	1/4-20	14,6	21	19	4	-	20
06652-8A2X30	L	steel	40	16	1/4-20	14,6	21	19	4	-	30
06652-8A3X20	L	steel	40	16	5/16-18	14,6	21	19	4	-	20
06652-8A3X40	L	steel	40	16	5/16-18	14,6	21	19	4	-	40

Overview of items

Order No.	Form	Component material	A	B	D	D2	H	H1	H2	T	L
06652-00AEX10	L	stainless steel	28	-	8-32	12	-	13,3	2,3	-	10
06652-00AEX20	L	stainless steel	28	-	8-32	12	-	13,3	2,3	-	20
06652-00A1X10	L	stainless steel	28	-	10-32	12	-	13,3	2,3	-	10
06652-00A1X20	L	stainless steel	28	-	10-32	12	-	13,3	2,3	-	20
06652-00A2X20	L	stainless steel	28	-	1/4-20	12	-	13,3	2,3	-	20
06652-00A2X30	L	stainless steel	28	-	1/4-20	12	-	13,3	2,3	-	30
06652-00A3X20	L	stainless steel	28	-	5/16-18	12	-	13,3	2,3	-	20
06652-00A3X40	L	stainless steel	28	-	5/16-18	12	-	13,3	2,3	-	40
06652-08A2X20	L	stainless steel	40	16	1/4-20	14,6	21	19	4	-	20
06652-08A2X30	L	stainless steel	40	16	1/4-20	14,6	21	19	4	-	30
06652-08A3X20	L	stainless steel	40	16	5/16-18	14,6	21	19	4	-	20
06652-08A3X40	L	stainless steel	40	16	5/16-18	14,6	21	19	4	-	40