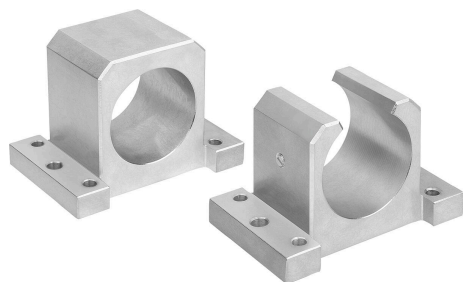


Item description/product images



Description

Product description:

These pedestal bearings made of extruded aluminum profile have six mounting holes and meet all the requirements placed on a housing.

Material:

Aluminium.

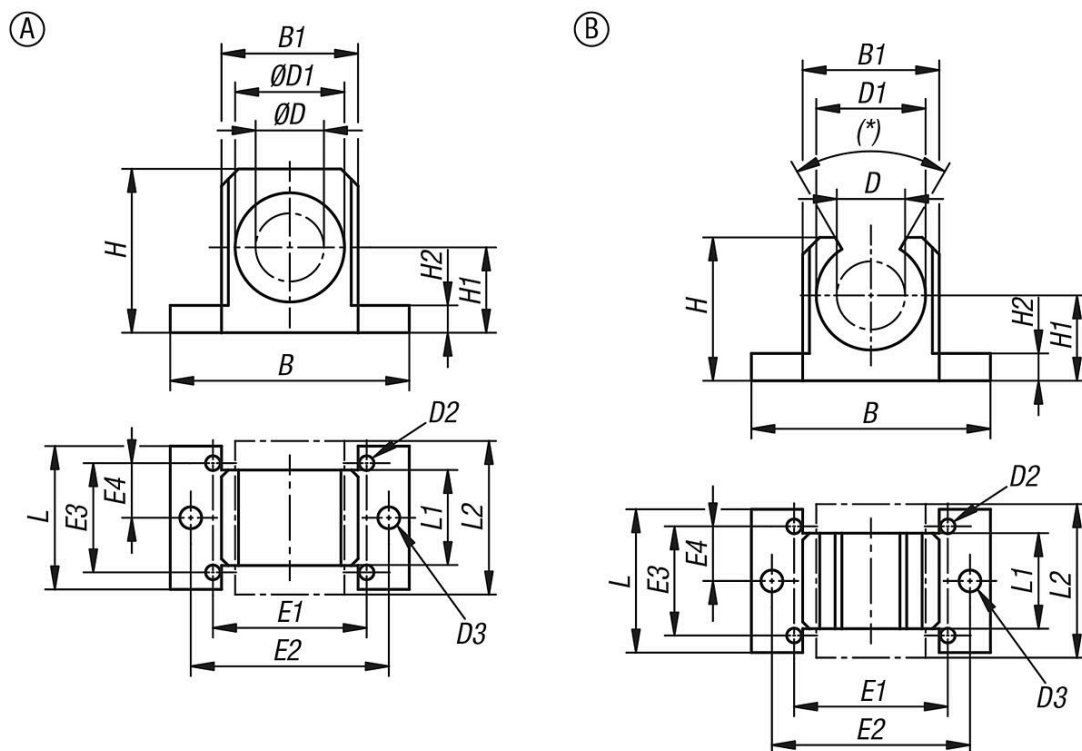
Note:

All linear ball bearings with standard installation heights can be combined with the pedestal bearings.

Accessory:

- Linear plain bearing 21495-01.
- Linear ball bearing with plastic cage 21500.
- Linear ball bearing with steel cage 21505.
- Stainless steel linear ball bearing 21505-01.
- Linear ball bearing, self-aligning 21510.
- Linear ball bearing, self-aligning, high load rating 21515.

Drawings



Overview of items

Pedestal bearing, aluminum

Order No.	Version 1	Form	B	B1	D	D1	D2	D3	E1	E2	E3	E4	H	H1	H2	L	L1	L2
24071-012	Closed	A	52	30	12	22	4,3	5,3	36	42	23	11,5	35	18	6	32	20	32
24071-016	Closed	A	56	34	16	26	4,3	5,3	40	46	26	13	40,5	22	7	35	22	36
24071-020	Closed	A	70	40	20	32	4,3	6,4	45	58	32	16	48	25	8	42	28	45

Overview of items

Order No.	Version 1	Form	B	B1	D	D1	D2	D3	E1	E2	E3	E4	H	H1	H2	L	L1	L2
24071-025	Closed	A	80	50	25	40	5,3	6,4	60	68	40	20	58	30	10	54	40	58
24071-030	Closed	A	88	58	30	47	6,4	6,4	68	76	45	22,5	67	35	10	60	48	68
24071-040	Closed	A	108	74	40	62	8,4	8,4	86	94	58	29	85	45	12	78	56	80
24071-050	Closed	A	135	96	50	75	8,4	10,5	108	116	50	25	100	50	12	72	72	100
24071-112	Open	B	52	30	12	22	4,3	5,3	32	42	23	11,5	28	18	6	32	20	32
24071-116	Open	B	56	34	16	26	4,3	5,3	40	46	26	13	33,5	22	7	35	22	36
24071-120	Open	B	70	40	20	32	4,3	6,4	45	58	32	16	42	25	8	42	28	45
24071-125	Open	B	80	50	25	40	5,3	6,4	60	68	40	20	51	30	10	54	40	58
24071-130	Open	B	88	58	30	47	6,4	6,4	68	76	45	22,5	60	35	10	60	48	68
24071-140	Open	B	108	74	40	62	8,4	8,4	86	94	58	29	77	45	12	78	56	80
24071-150	Open	B	135	96	50	75	8,4	10,5	108	116	50	25	93	50	12	72	72	100