

Item description/product images



Description

Material:

Sleeve steel.
Spring stainless steel 1.4310.
Ball steel or POM.

Version:

Sleeve black oxidised.
Ball hardened, bright.

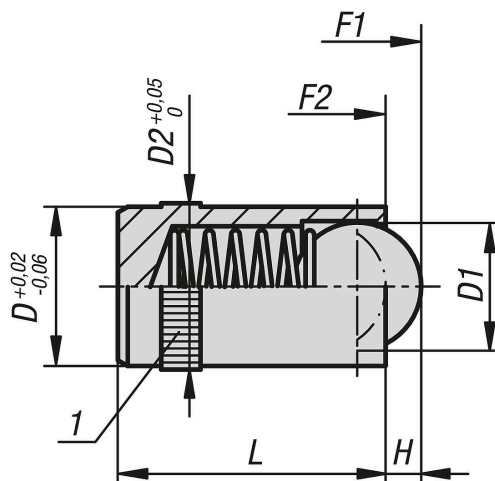
Note:

With DIN 82-RAA knurl

Drawing reference:

1) knurl

Drawings



Overview of items

Spring plungers to press-in, without collar, steel

Order No.	Component material	D	D1	D2	H=Stroke	L	Spring force initial pressure F1 approx. N	Spring force final pressure F2 approx. N
03072-20-103	steel	3	2	3,05	0,65	7	5	7
03072-20-104	steel	4	3	4,05	0,8	9	12	22
03072-20-105	steel	5	4	5,05	1	12	19	30
03072-20-106	steel	6	5	6,05	1,5	14	22	40
03072-20-108	steel	8	6	8,05	1,8	16	42	73
03072-20-110	steel	10	8	10,05	2,7	22	54	100
03072-20-112	steel	12	10	12,05	3,2	24	54	122
03072-20-304	POM	4	3	4,05	0,6	9	12	22
03072-20-305	POM	5	4	5,05	0,9	12	19	30
03072-20-306	POM	6	5	6,05	1,3	14	22	40
03072-20-308	POM	8	6	8,05	1,7	16	42	73
03072-20-310	POM	10	8	10,05	2,6	22	54	100
03072-20-312	POM	12	10	12,05	3,1	24	54	122

