

Item description/product images

**Description****Material:**

Plastic

Version:

Front frame silver

Note:

RJ45 fitted sockets, round type. These enable easy connection between two ethernet cables. Perfectly suited for network installations.

The RJ45 fitted sockets impress with their flat and ergonomic design. The installation diameter is 22.3 mm and they are easy to install.

The IP rating applies to the front part.

Protective caps are available as accessories to protect the fitted sockets when not in use.

Form A: with socket.

Form B: with cable / plug.

Temperature range:

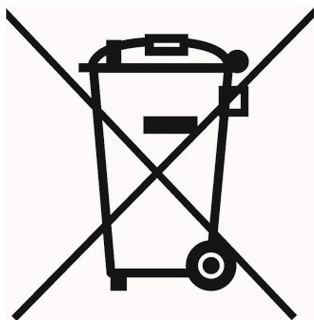
Storage temperature: -25 °C to +80 °C.

Operating temperature: -20 °C to +60°C.

Accessory:

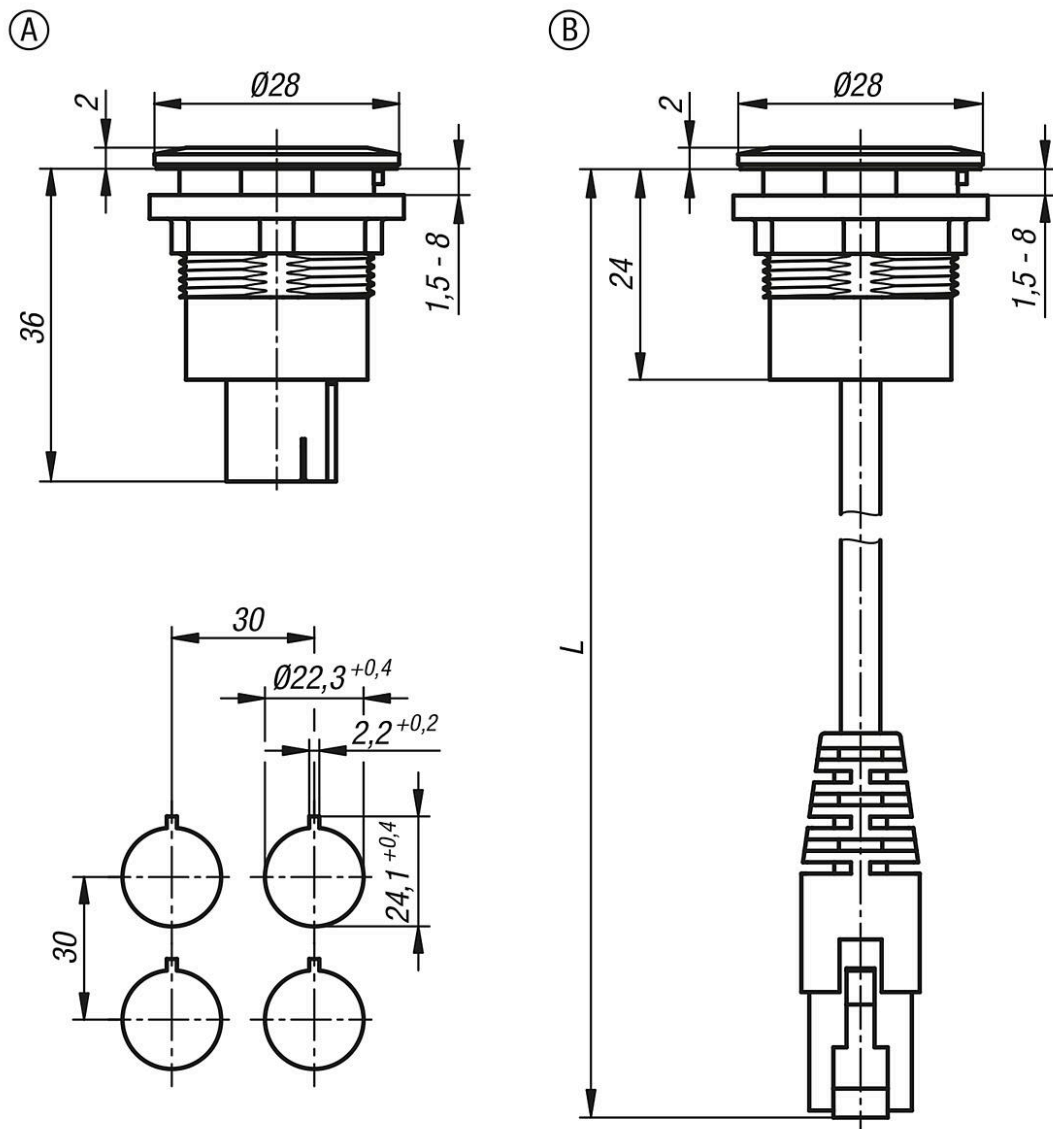
Protective caps for fitted sockets 81180-90.

Item description/product images



for electrics

Drawings



Overview of items

RJ45 fitted socket

Order No.	Form	Form definition	Reference number	Type	Installed \emptyset	Technology	Cable length L
81180-15-1045	A	with bushing	RRJ_RJ45_STB	RRJ	22,3	RJ45	-
81180-15-1045X0600	B	with cable/plug	RRJ_RJ45	RRJ	22,3	RJ45	600

Order No.	Form	front side	rear side	wiring	No. of poles	Illuminable	Safety rating	Tightening torque Mounting nut Nm
81180-15-1045	A	RJ45 socket	RJ45 socket	1:1	8-pole	no	IP20	1,5
81180-15-1045X0600	B	RJ45 socket	RJ45 cable/plug	1:1	8-pole	no	IP20	1,5

