

## Item description/product images

**Description****Material:**

Plastic TPE.

**Version:**

black.

**Note:**

These protective caps are suitable for fitted sockets with a head diameter of max. 30.5 mm, e.g. USB or RJ45 fitted sockets. They offer increased protection against dust and moisture. To protect the fitted sockets when not in use.

These protective caps are extremely resistant to environmental influences, and so ideal for use in harsh environments.

The protective cap is mounted onto the fitted socket and installed together.

The IP rating applies when closed.

**Temperature range:**

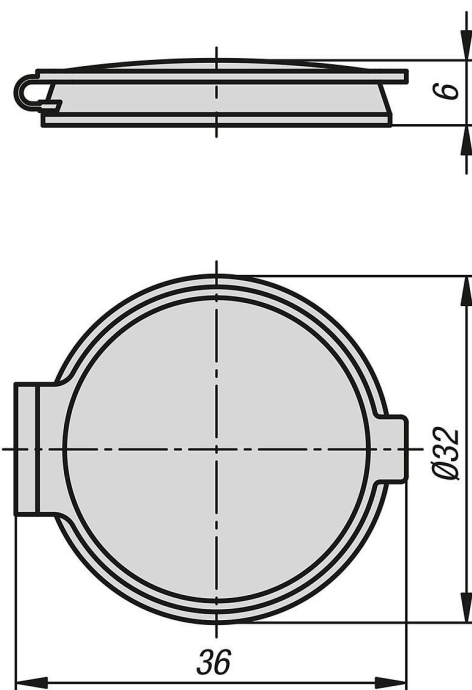
Operating temperature: -50°C to +100°C.

**Accessory:**

USB fitted sockets 81180 / 81180-10.

RJ45 fitted sockets 81180-15.

## Drawings



## Overview of items

---

### Protective caps for fitted sockets

Order No.	Reference number	Type	Safety rating
81180-90-1	RRJ_USB_AA	RRJ	IP67