

Item description/product images



Description

Product description:

The ergonomic form of the recessed handle is ideally suited for appliances and housings.

It is installed by pressing in and clipping into the mounting opening.

Material:

Thermoplastic (ABS).

Version:

black.

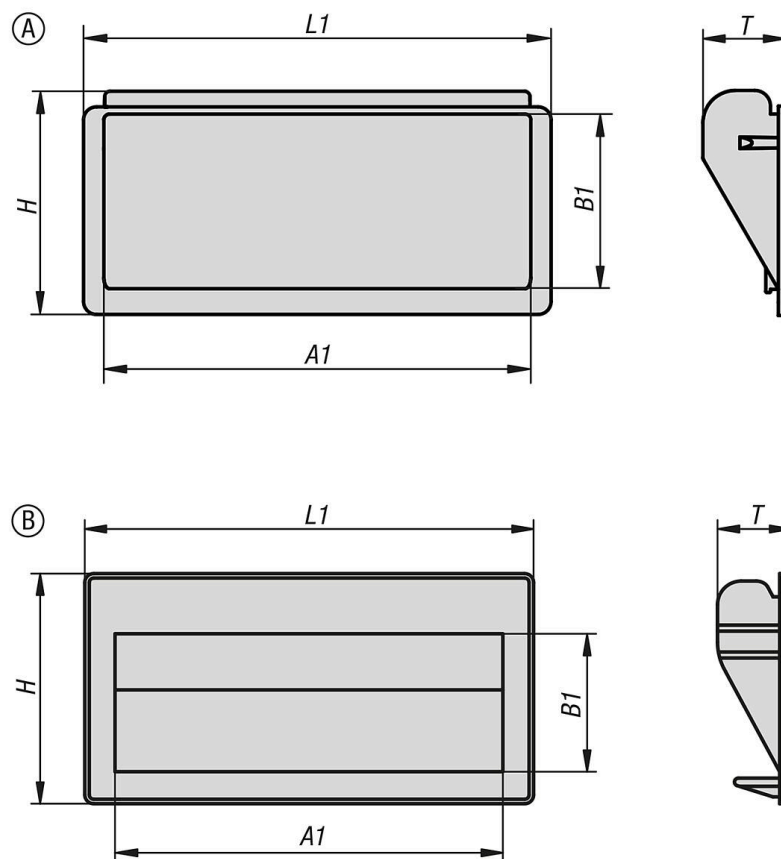
Note:

This handle can be used with a wall thickness of 0.75 to 1.5 mm.

The retaining force is 750 N per pair for steel and sheet steel housings.

06965-01-1101 is supplied with spring clips for mounting on the inside wall of the housing.

Drawings



Overview of items

Recessed handles

Overview of items

Order No.	Form	Version 2	A1	B1	H	L1	T	Mounting cutout	Load capacity N
06965-01-0901	A	plug-in	79	30	40	90	16	83 x 34	375
06965-01-1101	B	plug-in	95	33,8	56,3	110	18	103 x 49	375