

Item description/product images



Description

Material:

Stainless steel 1.4301.

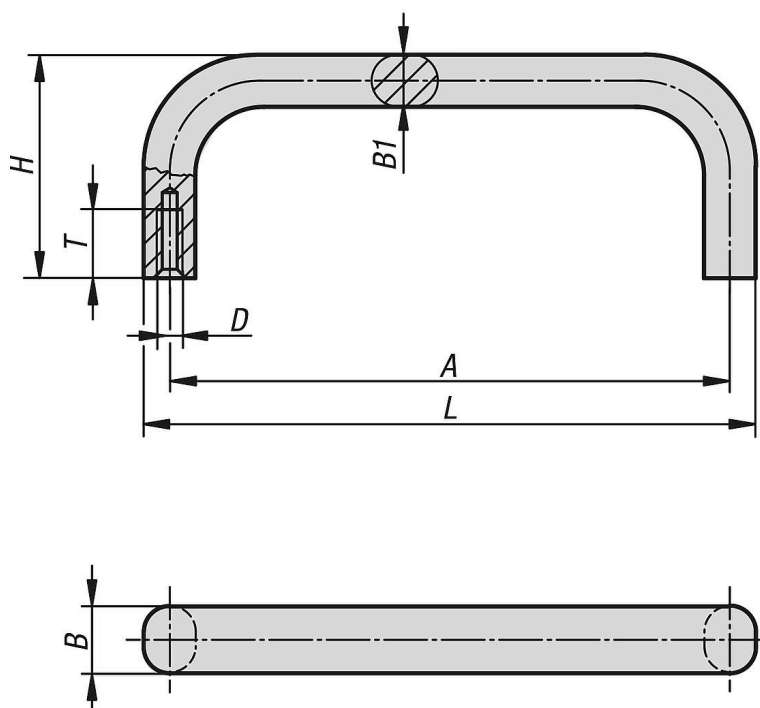
Version:

Vibratory ground semi-gloss finish.

Assembly:

From the rear.

Drawings



Overview of items

Order No.	A	B	B1	D	H	L	T	Load capacity N
06924-01-1000805	100	12	8	M5	39	108	10	1000
06924-01-1200805	120	12	8	M5	39	128	10	1000
06924-01-1001005	100	15	10	M5	39	110	10	1000
06924-01-1501005	150	15	10	M5	39	160	10	1000
06924-01-1801005	180	15	10	M5	39	190	10	1000

