

Item description/product images



Description

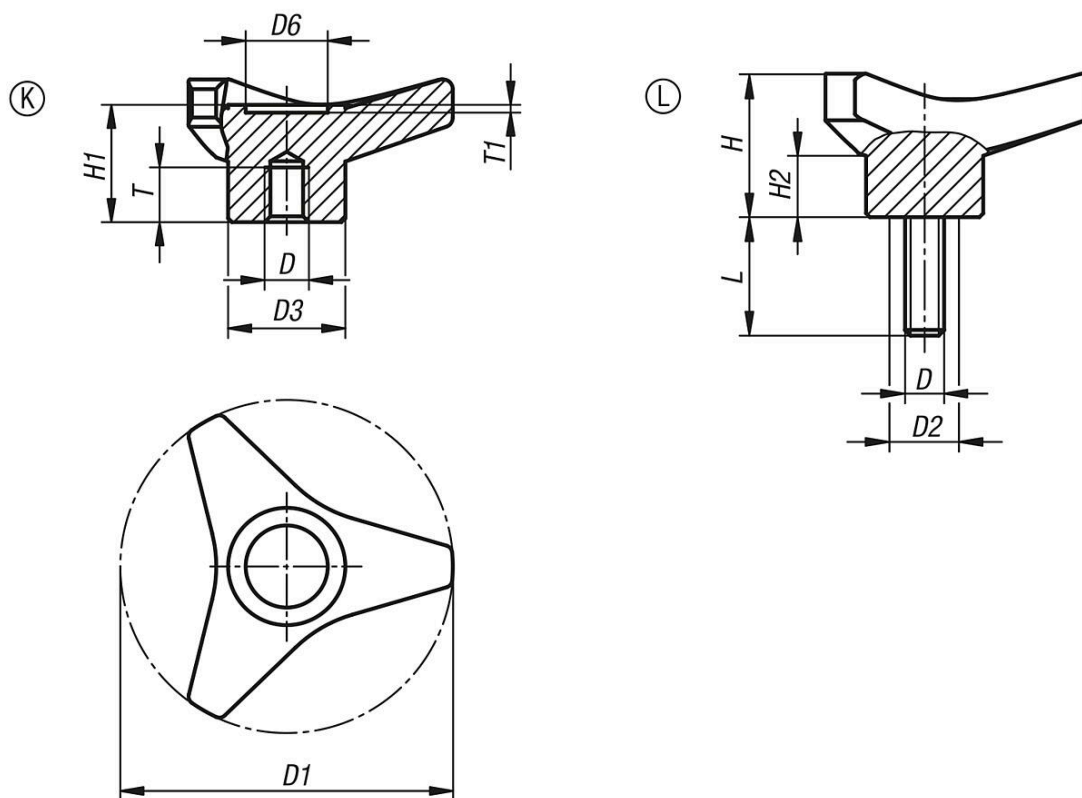
Material:

Fibreglass reinforced thermoplastic.
Tapped bush brass.
Screw steel.

Version:

Grip, black.
Screw electro zinc-plated.

Drawings



Overview of items

Triangular grips with internal thread

Order No.	Form	D	D1	D2	D3	D6	H	H1	H2	T	T1	L
06718-24506	K	M6	45	-	16	11	21	18	10	9	1	-
06718-26508	K	M8	65	-	22	15,5	28	23,5	11,5	11	1,5	-
06718-26510	K	M10	65	-	22	15,5	28	23,5	11,5	11	1,5	-
06718-28510	K	M10	85	-	30	21	37	30,5	16	14	2	-
06718-28512	K	M12	85	-	30	21	37	30,5	16	19	2	-
06718-210512	K	M12	105	-	35	25	46	37,5	19	17	2	-
06718-210514	K	M14	105	-	35	25	46	37,5	19	19	2	-
06718-48508X	L	M8	85	18	30	21	37	30,5	16	-	2	20/30
06718-48510X	L	M10	85	18	30	21	37	30,5	16	-	2	20/30
06718-48512X	L	M12	85	18	30	21	37	30,5	16	-	2	20/40
06718-410512X	L	M12	105	20	35	25	46	37,5	19	-	2	30/50

