

## Item description/product images



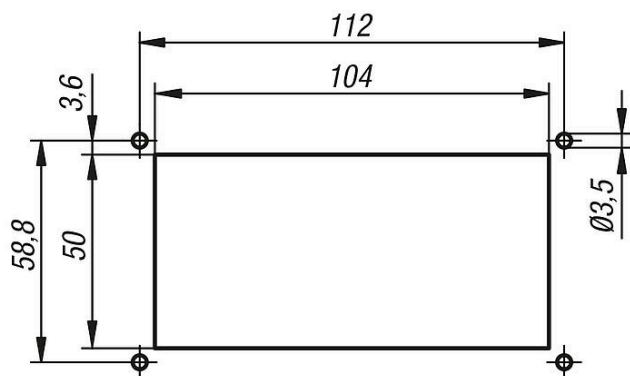
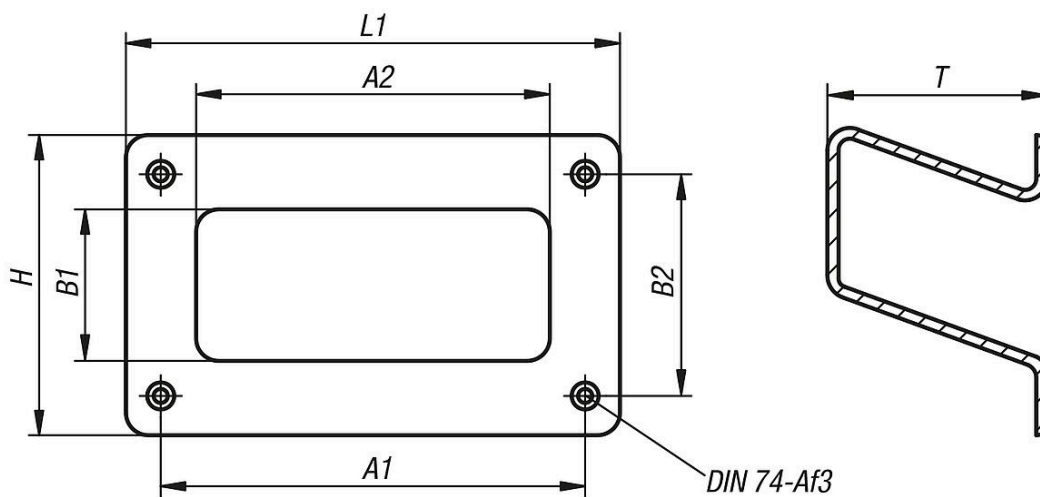
## Description

**Material:**  
Thermoplastic (ABS).

**Version:**  
black.

**Note:**  
Max. load 500 N/pair.

## Drawings



## Overview of items

## Recessed handles

## Overview of items

Order No.	Version 2	A1	A2	B1	B2	H	L1	T	Load capacity N
06965-03-1121	screw on	112	94	40	58,8	79	131	58	250