

## Item description/product images



## Description

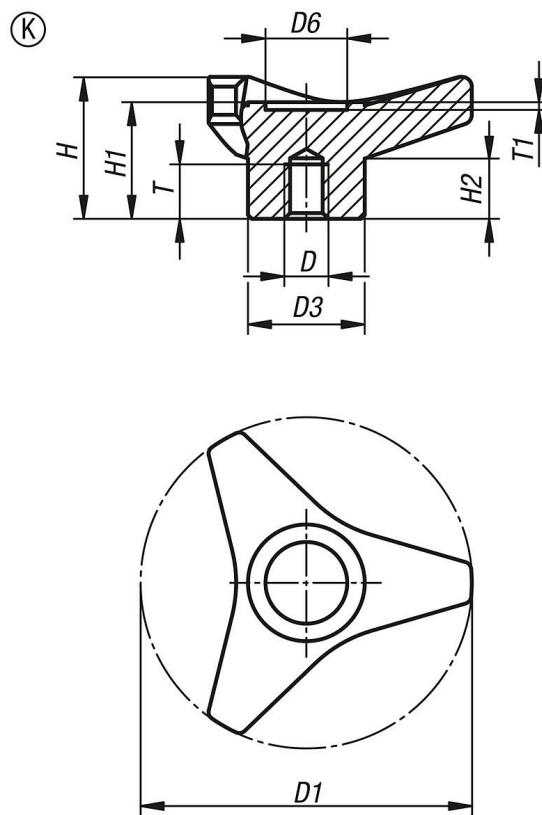
**Material:**

Fibreglass reinforced thermoplastic.  
Tapped bush brass.

**Version:**

Grip, black.

## Drawings



## Overview of items

Order No.	Form	D	D1	D3	D6	H	H1	H2	T	T1
06718-24506	K	M6	45	16	11	21	18	10	9	1
06718-26508	K	M8	65	22	15,5	28	23,5	11,5	11	1,5
06718-26510	K	M10	65	22	15,5	28	23,5	11,5	11	1,5
06718-28510	K	M10	85	30	21	37	30,5	16	14	2
06718-28512	K	M12	85	30	21	37	30,5	16	19	2
06718-210512	K	M12	105	35	25	46	37,5	19	17	2
06718-210514	K	M14	105	35	25	46	37,5	19	19	2

