

## Item description/product images



## Description

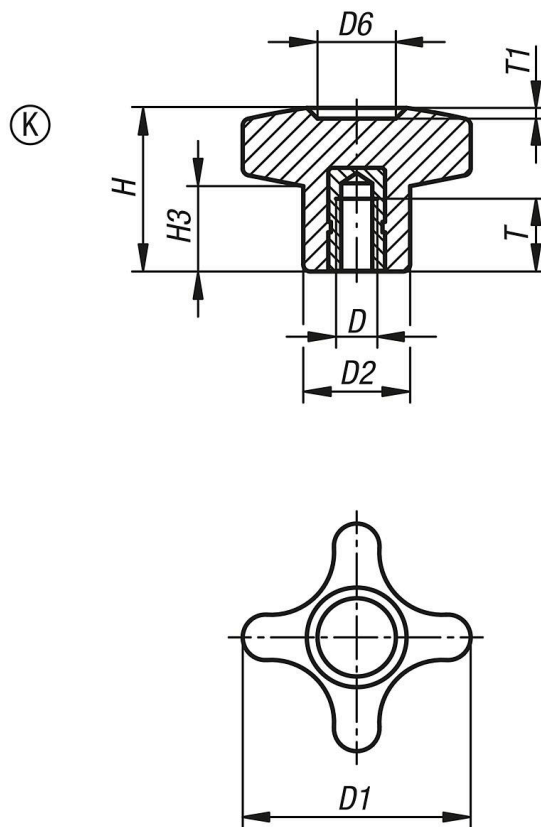
**Material:**

Fibreglass reinforced thermoplastic.  
Tapped bush brass.

**Version:**

Grip, black.

## Drawings



## Overview of items

Order No.	Form	D	D1	D2	D6	H	H3	T	T1
06175-23205	K	M5	32	15	11	23	12	14	1,5
06175-23206	K	M6	32	15	11	23	12	14	1,5
06175-24008	K	M8	40	16	13	24,5	12,5	14	1,5
06175-25010	K	M10	50	20	14	29	15	14	2
06175-26012	K	M12	60	24	18	34	18,5	18	2

