

Item description/product images



Description

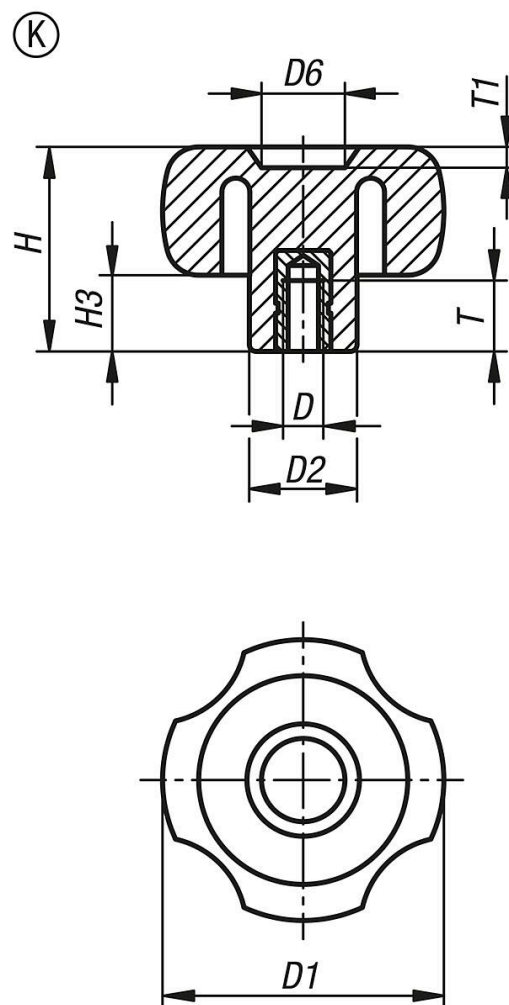
Material:

Fibreglass reinforced thermoplastic.
Tapped bush brass.

Version:

Grip, black.

Drawings



Overview of items

Order No.	Form	D	D1	D2	D6	H	H3	T	T1
06760-23006	K	M6	30	15	12	23	9,5	10	2
06760-24006	K	M6	40,5	15,5	12	29,5	11	10	3
06760-24008	K	M8	40,5	15	12	27,5	11	14	3
06760-25208	K	M8	50	20,5	14,5	32,5	11	14	2,5
06760-25210	K	M10	50	20,5	14,5	32,5	11	13	2,5
06760-26010	K	M10	59	23	24	40	15	14	4

Overview of items

Order No.	Form	D	D1	D2	D6	H	H3	T	T1
06760-26012	K	M12	59	23	24	40	15	18	4