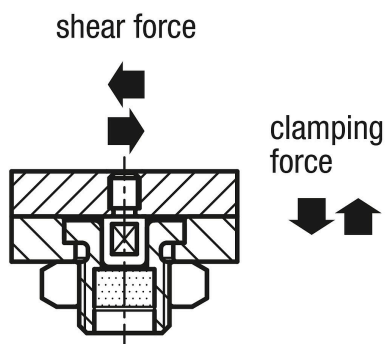
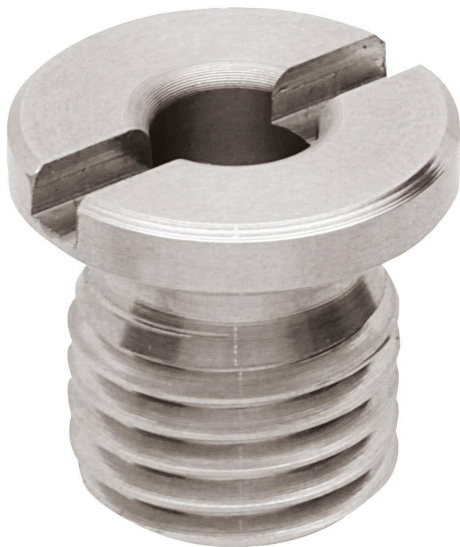
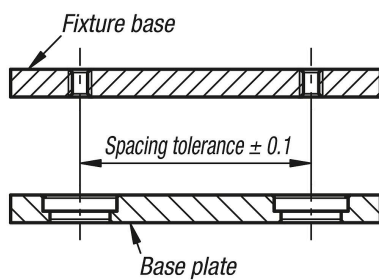


Item description/product images



Recommended installation tolerances:



Description

Material:

Housing stainless steel.
Magnet neodymium.

Version:

Housing bright.

Note:

A magnet in the bush attracts the pin (09221) and holds it with the specified retaining force.

Repeat accuracy ± 0.25 . The repeat accuracy can be increased with the aid of additional locating pins.

Installation dimensions for Form A:

min. plate thickness 6 mm.

Installation dimensions for Form B:

max. plate thickness 10 mm.

Installation dimensions for Form C:

plate thickness > 10 mm.

Installation dimensions for Form D:

blind hole.

On request:

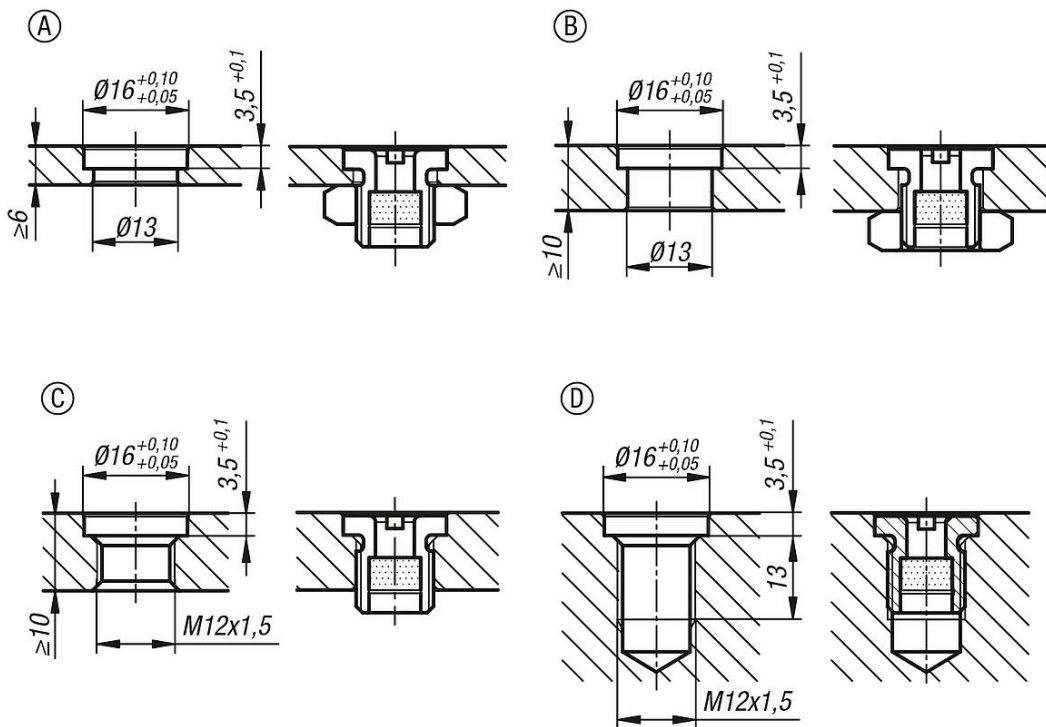
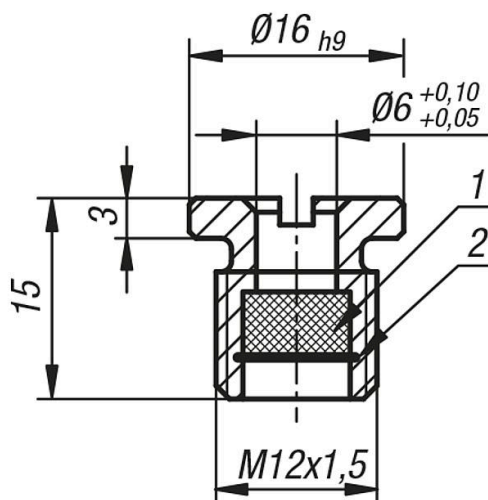
Suitable nuts.

Accessory:

Pin 09221.

Drawing reference:

- 1) magnet
- 2) circlip



Overview of items

Magnetic bushes

Order No.	Clamping force N	Shearing force kN	Temperature resistance
09220-6	7	0,8	≤80 °C