

## Item description/product images



## Description

**Material:**

Steel.

**Version:**

Bright.

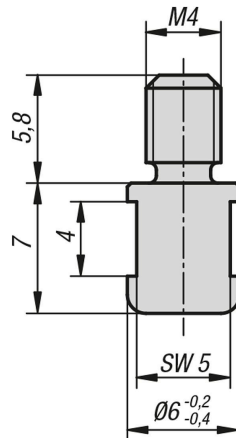
**Note:**

Accessory to 09220.

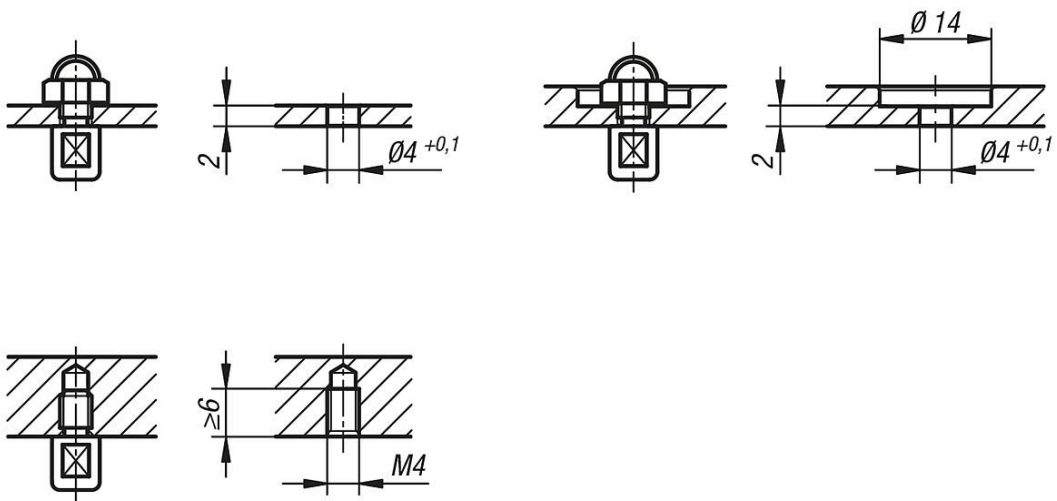
The pin is attracted to the magnetic bush 09220.

Mounting option with nut (not included) or by screwing directly into the workpiece.

## Drawings



## Drawings



## Overview of items

## Pin for magnetic bush

Order No.	Shear force kN
09221-6	0,9