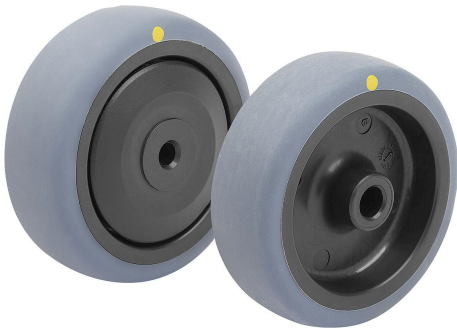


Item description/product images

**Description****Product description:**

The electrically conductive polypropylene wheels with rubber tread offer minimal rolling resistance and non-marking running through high-quality thermoplastic rubber elastomer (TPE) tread (Shore 85A). The unbreakable polypropylene wheel hub ensures stability and high chemical resistance.

Material:

Wheel hub polypropylene.
Tread rubber elastomer (TPE).

Version:

Polypropylene black.
Rubber elastomer grey.

Note:

The wheels have a high chemical resistance to many aggressive media, but not to oils.

The load-bearing capacity decreases by temperatures over 30 °C.

Temperature range:

-20 °C to +60 °C.

Accessory:

95010 Appliance swivel and fixed castors, electrically conductive, with rubber tread, standard version

95012 Steel plate swivel and fixed castors, electrically conductive with rubber tread, heavy duty version

95016 Steel plate swivel and fixed castors, electrically conductive with rubber tread, standard version

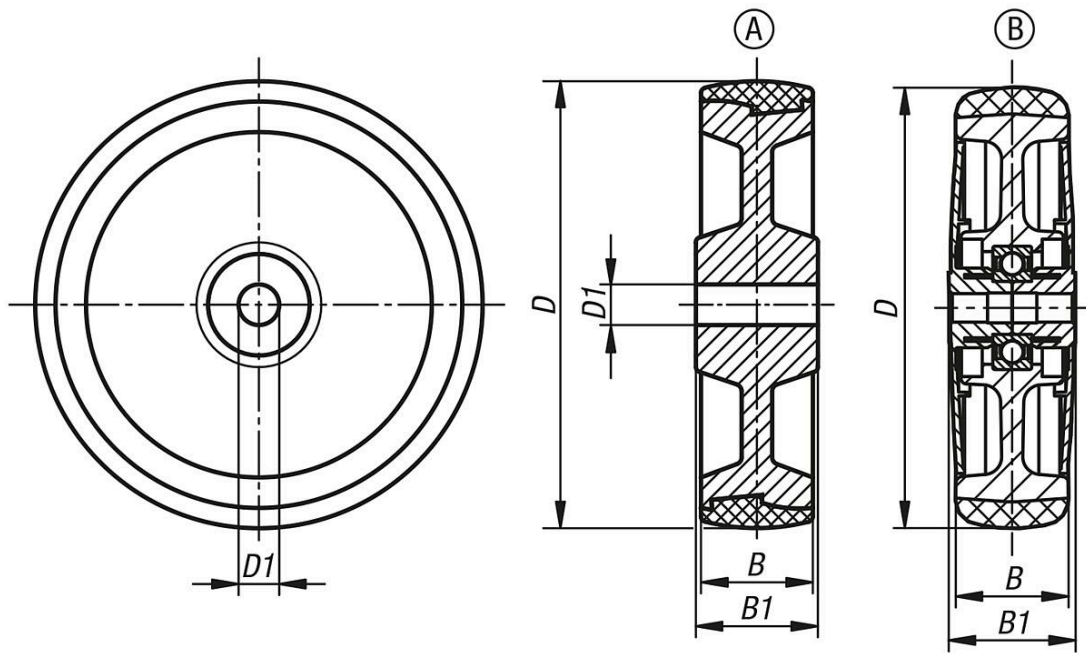
95046 Swivel and fixed equipment castors, steel with TPE tread, electrically conductive for aluminium profiles

Drawing reference:

Form A: plain bearing

Form B: ball bearing

Drawings



Overview of items

Polypropylene wheels, electrically conductive, with rubber tread

Order No.	Form	Main material	Wheel bearing	D	B	B1	D1	Permissible load kg	Material tread
95056-21-050190	A	polypropylene	Plain bearing	50	19	22	8	50	Rubber elastomer
95056-21-075250	A	polypropylene	Plain bearing	75	25	29,5	8	75	Rubber elastomer
95056-21-100250	A	polypropylene	Plain bearing	100	25	29,5	8	90	Rubber elastomer
95056-21-100320	A	polypropylene	Plain bearing	100	32	35	12	110	Rubber elastomer
95056-21-125320	A	polypropylene	Plain bearing	125	32	36	12	125	Rubber elastomer
95056-21-075251	B	polypropylene	Ball bearing	75	25	31	6	75	Rubber elastomer
95056-21-080321	B	polypropylene	Ball bearing	80	32	36	8	100	Rubber elastomer
95056-21-100321	B	polypropylene	Ball bearing	100	32	36	8	110	Rubber elastomer
95056-21-125321	B	polypropylene	Ball bearing	125	32	36	8	125	Rubber elastomer