

Item description/product images



Description

Product description:

The heavy-duty cast polyamide wheels (Shore 80D) are designed for extremely high loads. The reaction-moulded, break-resistant structure offers minimal rolling and swivel resistance as well as light running on smooth floors. The material is highly abrasion-resistant, chemically resistant and absorbs hardly any moisture.

Material:

Wheel cast polyamide.

Version:

Cast polyamide natural beige.

Note:

The wheels have a high chemical resistance to many aggressive media.

Reduced moisture absorption.

The surface pressure must be taken into account with pressure-sensitive floors.

The load-bearing capacity decreases by temperatures over 35 °C.

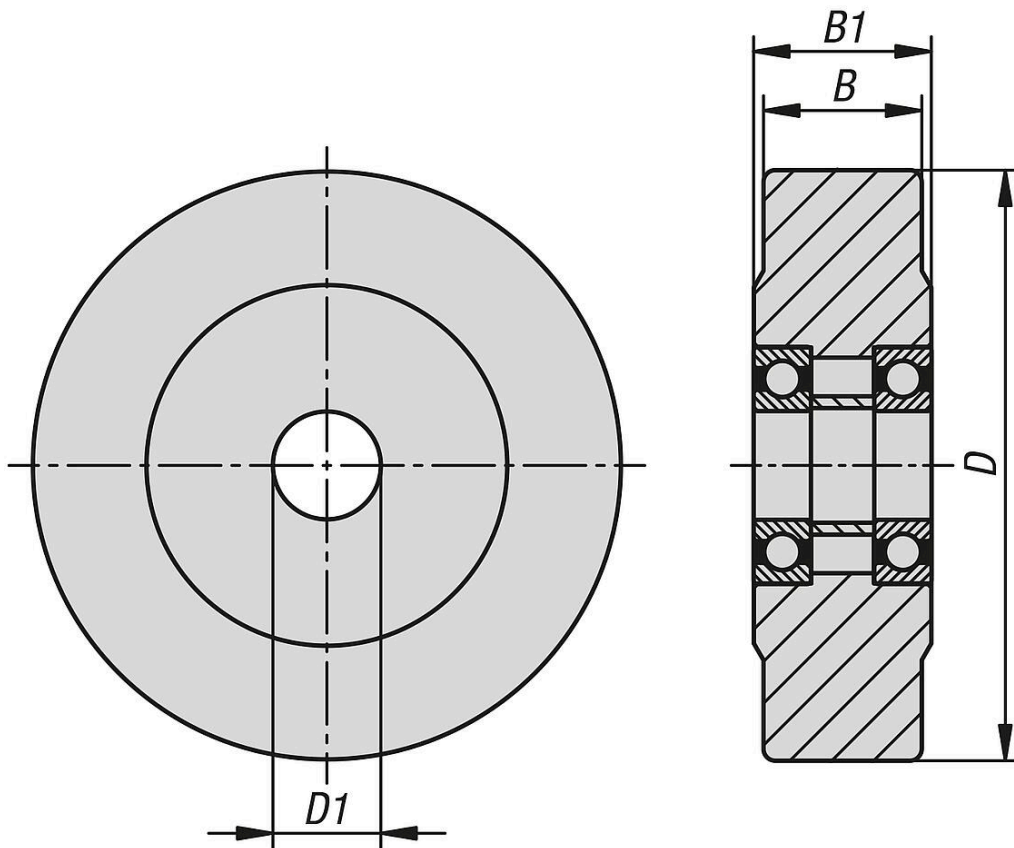
Temperature range:

-20 °C to +80 °C.

Accessory:

95045 Steel plate swivel caster compact version.

Drawings



Overview of items

Heavy-duty wheel cast polyamide

Order No.	Main material	Wheel bearing	D	B	B1	D1	Permissible load kg	Material tread
95059-05-03528	polyamide	Ball bearing	35	28	28	8	100	Polyamide
95059-05-05032	polyamide	Ball bearing	50	32	35	15	250	Polyamide