

Item description/product images

**Description****Product description:**

The heavy-duty polyamide wheels with polyurethane tread combine a blue thermoplastic polyurethane TPU tread (Shore 80A) with a break-resistant polyamide wheel hub. They offer excellent travel comfort, minimal rolling resistance, run extremely quietly and are gentle to floors.

Material:

Wheel hub polyamide.

Tread thermoplastic polyurethane (TPU).

Version:

Polyamide white.

Polyurethane blue.

Note:

The wheels have a high chemical resistance to many aggressive media.

The load-bearing capacity decreases by temperatures over 35 °C.

Temperature range:

-20 °C to +70 °C.

Briefly up to +90 °C.

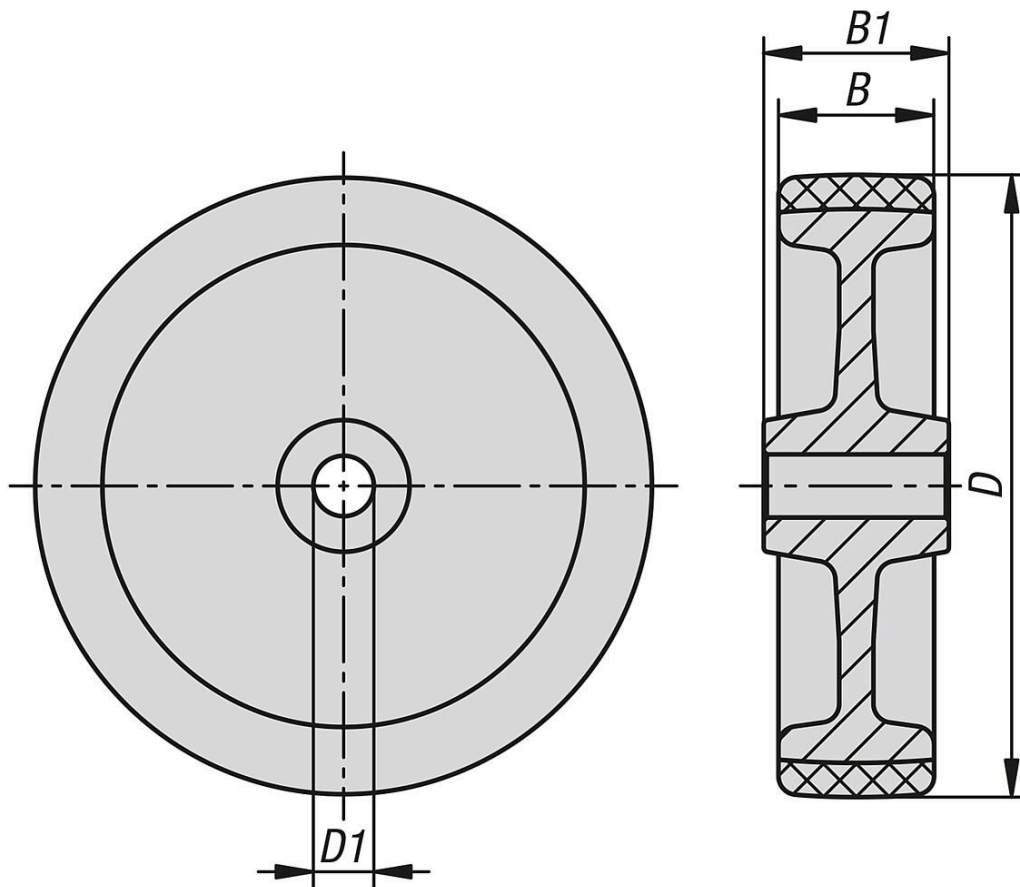
Accessory:

95046 Steel plate swivel and fixed castors for hygienic sectors.

95046-01 Stainless steel swivel and fixed castors for hygienic sectors.

95046-02 Stainless steel swivel castors with bolt hole, with polyurethane tread, for hygienic sectors.

Drawings



Overview of items

Polyamid wheels with polyurethane tread, heavy-duty version

Order No.	Main material	Wheel bearing	D	B	B1	D1	Permissible load kg	Material tread
95056-10-1003512	polyamide	Plain bearing	100	35	45	12	200	polyurethane
95056-10-1003515	polyamide	Plain bearing	100	35	45	15	200	polyurethane
95056-10-1254012	polyamide	Plain bearing	125	40	45	12	275	polyurethane
95056-10-1254015	polyamide	Plain bearing	125	40	45	15	275	polyurethane
95056-10-1604520	polyamide	Plain bearing	160	45	60	20	400	polyurethane
95056-10-2005020	polyamide	Plain bearing	200	50	60	20	550	polyurethane