

Item description/product images



Description

Product description:

The electrically conductive polyamide wheels with polyurethane tread feature an abrasion-resistant tread made from dark grey thermoplastic polyurethane TPU (Shore 94A), which is bonded to the break-proof polyamide wheel hub. They offer low rolling resistance, are non-marking and extremely resistant to chemicals. The wheels also have a large plastic thread guard.

Material:

Wheel hub polyamide.

Tread thermoplastic polyurethane (TPU).

Version:

Polyamide black.

Polyurethane dark grey.

Note:

The wheels have a high chemical resistance to many aggressive media.

The load-bearing capacity decreases by temperatures over 35 °C.

Temperature range:

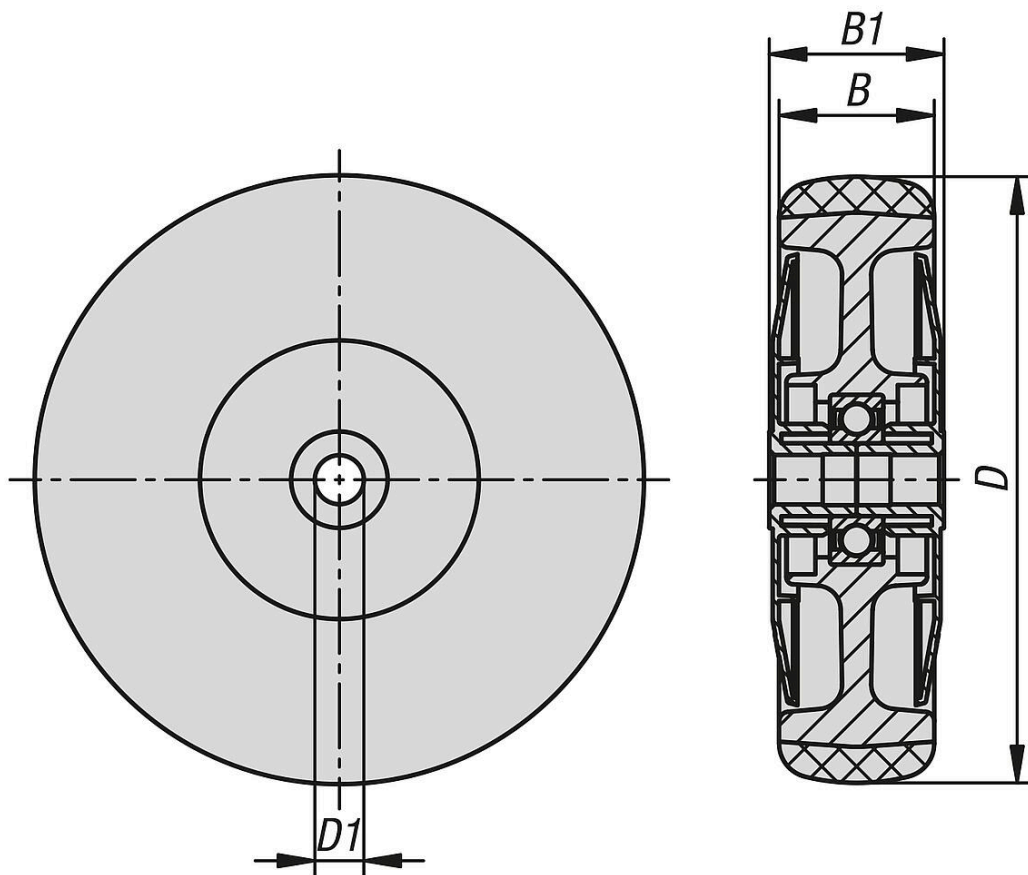
-20 °C to +70 °C.

Briefly up to +90 °C.

Accessory:

95046-16 Swivel and fixed equipment castors, steel with TPU tread, electrically conductive for aluminium profiles.

Drawings



Overview of items

Polyamide wheels, electrically conductive, with polyurethane tread

Order No.	Main material	Wheel bearing	D	B	B1	D1	Permissible load kg	Material tread
95056-06-07525	polyamide	Ball bearing	75	25	31	6	65	polyurethane
95056-06-08032	polyamide	Ball bearing	80	32	36	8	100	polyurethane
95056-06-10032	polyamide	Ball bearing	100	32	36	8	130	polyurethane
95056-06-12532	polyamide	Ball bearing	125	32	36	8	165	polyurethane