

## Item description/product images



## Description

**Product description:**

The polyamide wheels with polyurethane tread feature an abrasion-resistant tread made from dark grey thermoplastic polyurethane TPU (Shore 94A), which is bonded to the break-proof polyamide wheel hub. They offer low rolling resistance, are non-marking and extremely resistant to chemicals. The wheels also have a large plastic thread guard.

**Material:**

Wheel hub polyamide.

Tread thermoplastic polyurethane (TPU).

**Version:**

Polyamide silver grey.

Polyurethane dark grey.

**Note:**

The wheels have a high chemical resistance to many aggressive media.

The load-bearing capacity decreases by temperatures over 35 °C.

**Temperature range:**

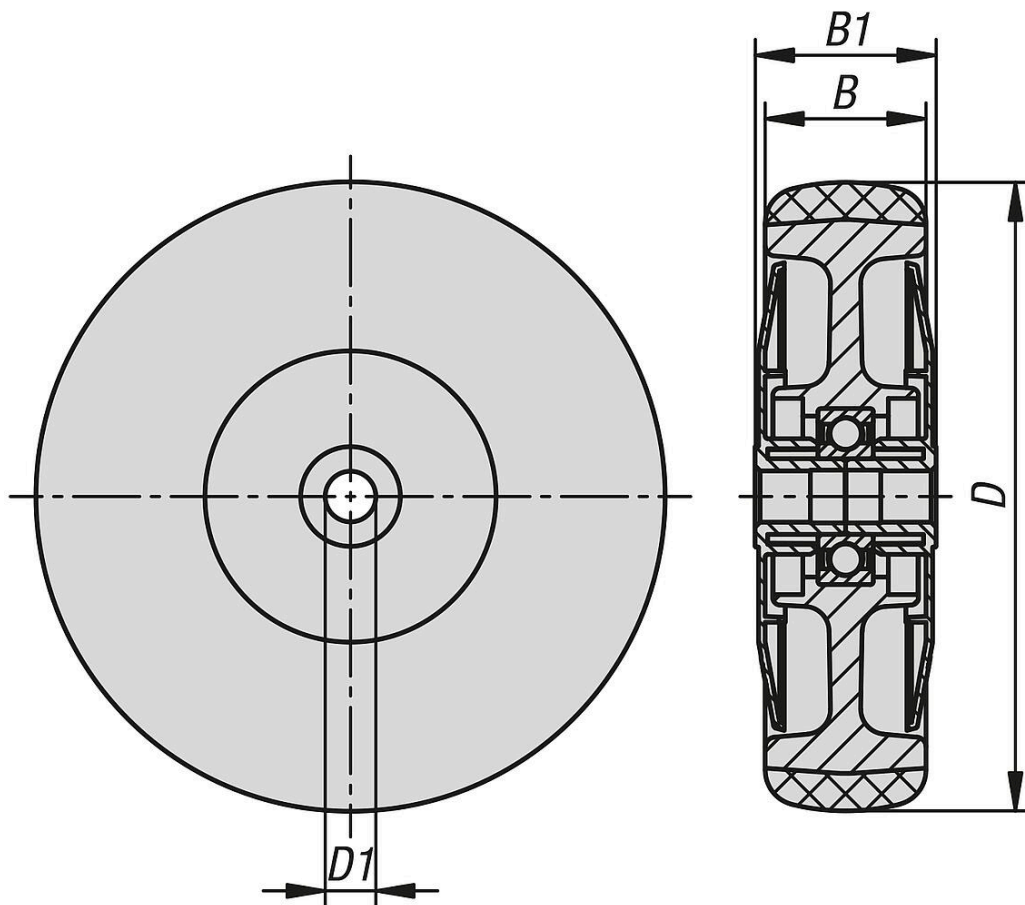
-20 °C to +70 °C.

Briefly up to +90 °C.

**Accessory:**

95046-15 Swivel and fixed equipment castors, steel with TPU tread, for aluminium profiles

Drawings



Overview of items

Polyamid wheels with polyurethane tread

Order No.	Main material	Wheel bearing	D	B	B1	D1	Permissible load kg	Material tread
95056-05-07525	polyamide	Ball bearing	75	25	31	6	100	polyurethane
95056-05-08032	polyamide	Ball bearing	80	32	36	8	150	polyurethane
95056-05-10032	polyamide	Ball bearing	100	32	36	8	200	polyurethane
95056-05-12532	polyamide	Ball bearing	125	32	36	8	250	polyurethane