

Item description/product images

**Description****Product description:**

These polypropylene wheels with rubber tread offer minimal rolling resistance and non-marking running through high-quality thermoplastic rubber elastomer (TPE) tread (Shore 85A). The unbreakable polypropylene wheel hub ensures stability and high chemical resistance.

Material:

Wheel hub polypropylene.
Tread rubber elastomer (TPE).

Version:

Polypropylene silver grey.
Rubber elastomer grey.

Note:

The wheels have a high chemical resistance to many aggressive media, but not to oils.

The load-bearing capacity decreases by temperatures over 30 °C.

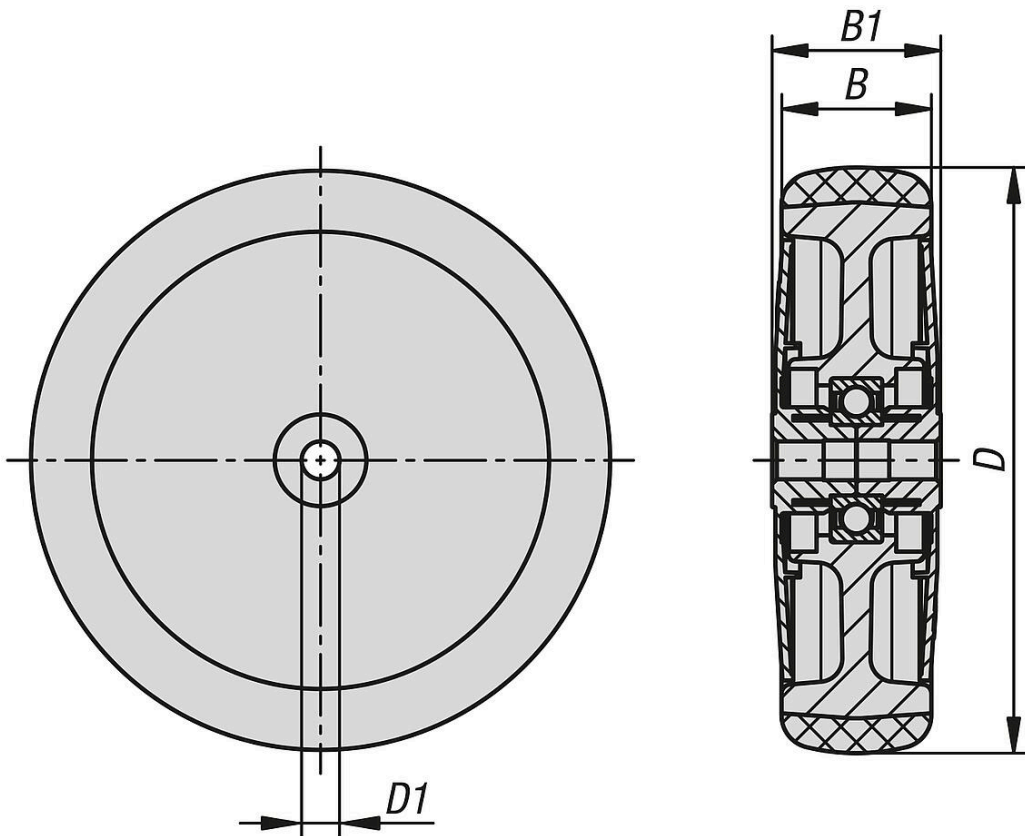
Temperature range:

-20 °C to +60 °C.

Accessory:

95046-17 Swivel and fixed equipment castors, steel with TPE tread, for aluminium profiles

Drawings



Overview of items

Polypropylene wheels with rubber tread

Order No.	Main material	Wheel bearing	D	B	B1	D1	Permissible load kg	Material tread
95056-20-07525	polypropylene	Ball bearing	75	25	31	6	75	Rubber elastomer
95056-20-08032	polypropylene	Ball bearing	80	32	36	8	100	Rubber elastomer
95056-20-10032	polypropylene	Ball bearing	100	32	36	8	110	Rubber elastomer
95056-20-12532	polypropylene	Ball bearing	125	32	36	8	125	Rubber elastomer