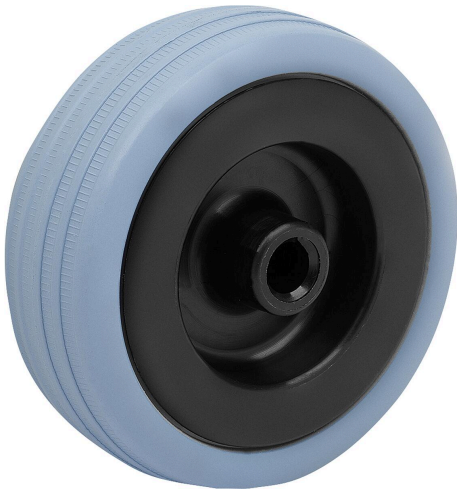


## Item description/product images

**Description****Product description:**

The solid rubber wheels with polyamide wheel hubs combine maximum travel comfort with extreme floor protection. The grey, solid rubber wheels (Shore 80A) guarantee quiet running and leave no contact discolouration. The unbreakable polyamide rim impresses with its high chemical resistance.

**Material:**

Rim polyamide.  
Tread solid rubber.

**Version:**

Polyamide black.  
Solid rubber grey.

**Note:**

The wheels have a high chemical resistance to many aggressive media, but not to oils.

The load-bearing capacity decreases by temperatures over 30 °C.

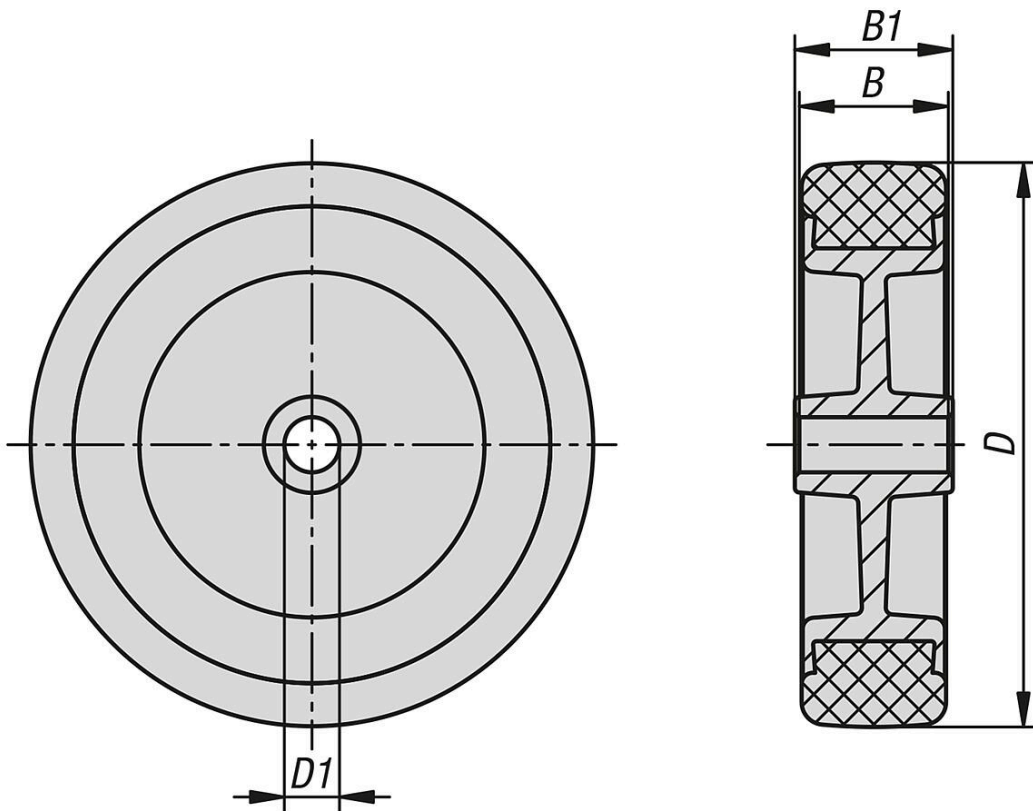
**Temperature range:**

-20 °C to +60 °C.

**Accessory:**

95010 Appliance swivel and fixed castors with solid rubber tyres, standard version  
95012 Steel plate swivel and fixed castors with standard solid rubber tyres, heavy duty version

Drawings



Overview of items

Solid rubber wheels with polyamide wheel hub

Order No.	Main material	Wheel bearing	D	B	B1	D1	Permissible load kg	Material tread
95050-05-0501806	polyamide	Plain bearing	50	18	22	6	40	Solid rubber
95050-05-0501808	polyamide	Plain bearing	50	18	22	8	40	Solid rubber
95050-05-0752508	polyamide	Plain bearing	75	25	29,5	8	60	Solid rubber
95050-05-1002508	polyamide	Plain bearing	100	25	29,5	8	90	Solid rubber
95050-05-1002512	polyamide	Plain bearing	100	25	29,5	12	90	Solid rubber
95050-05-1003212	polyamide	Plain bearing	100	32	35	12	110	Solid rubber
95050-05-1252512	polyamide	Plain bearing	125	25	35	12	100	Solid rubber
95050-05-1253212	polyamide	Plain bearing	125	32	35	12	125	Solid rubber