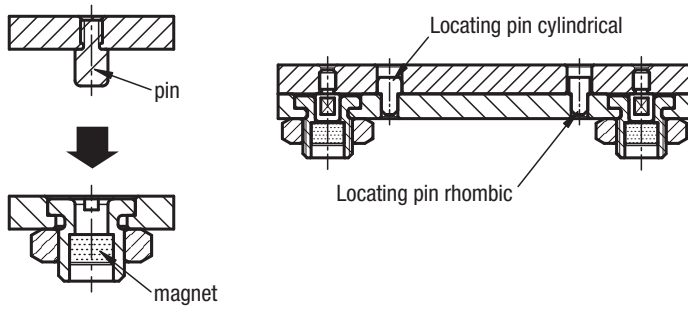


Technical information for magnetic bushes 09220 and 09221

Note:

These are used to hold panels or thin plates. The pin is held in the bush housing by a magnet. The repeat accuracy of ± 0.25 mm can be increased with the aid of additional locating pins.

Application:



Application example:

Quick installation or removal of hatches

